

# SMART DISPLAY



- **Display of up to four analogue inputs - 0-20 mA, 4-20 mA, 0-10 V DC, or  $\pm 10V$  (other inputs on request).**
- **Each input is galvanically isolated from each other with input isolation > 1000 VDC.**
- **PC configurable labels, tags, units and scaling.**
- **4 digits with sign and configurable decimal point.**
- **Two versions available: Rear Clamp Mounting (rear fixing) and Sealed Mounting (front fixing).**
- **Compact, convenient and economical.**
- **RS232 and RS485 interfaces available.**

## APPLICATIONS:

Distributed multi-input displays.

Process variable data acquisition with local display.

Low cost control systems.



## SPECIFICATIONS:

- PC based configuration using RS232 and “easy to use” software to customize display label, tags, input scaling and calibration.
- LCD active display dimensions 38 x 70 mm, digit height approximately 12 mm.
- Accuracy better than 0.2% of full scale.
- $\pm 10\%$  over and under-range.
- Standard inputs 0-20 mA, 4-20 mA,  $\pm 10V$ , 0-10 V and other inputs on request.
- Input resistance of 50  $\Omega$  for 4-20 mA inputs.
- Backlight for clear display in low light, industrial environments.
- Auxiliary supply 24 VDC  $\pm 10\%$  at 200 mA. (on request, 12 VDC models can also be supplied)
- Isolation between inputs, auxiliary power supply and optional RS485 interface >1000 VDC.
- Operating temperature -10°C to 60°C
- Front and rear fixing panel mounting options available.
- Rear access screw terminal connections.
- Panel cutout 104 x 114 mm (W x H).
- Dimensions 110 x 120 x 62 mm (W x H x D).
- *Customised applications include:*
  - Display and data logging.
  - Dedicated, low cost control systems.
  - Interface to any of the Danntech Remote Magic products.
- CE compliant.



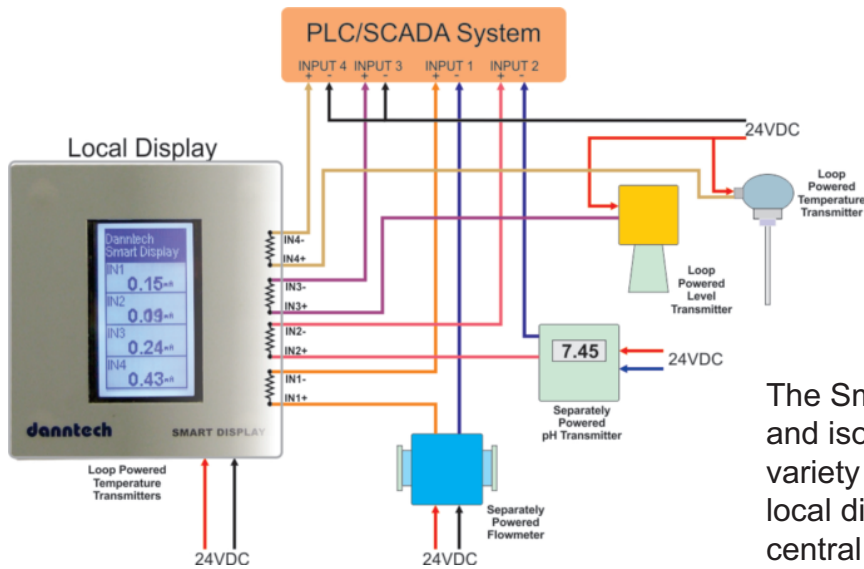
### Danntech cc

Reg. No. 1986/15338/23  
Tel: + 27 (0)11 792-1239  
Fax: + 27 (0)11 792-4687  
P O Box 1023, Fontainebleau, 2032  
Republic of South Africa  
[www.danntech.com](http://www.danntech.com)  
[www.danntech.co.za](http://www.danntech.co.za)

### Danntech ltd

Co. No. 6510211  
Tel: +44 (0) 75 9069 1824  
4 Bettys Lane, Norton Canes, Cannock  
WS11 9NP, United Kingdom



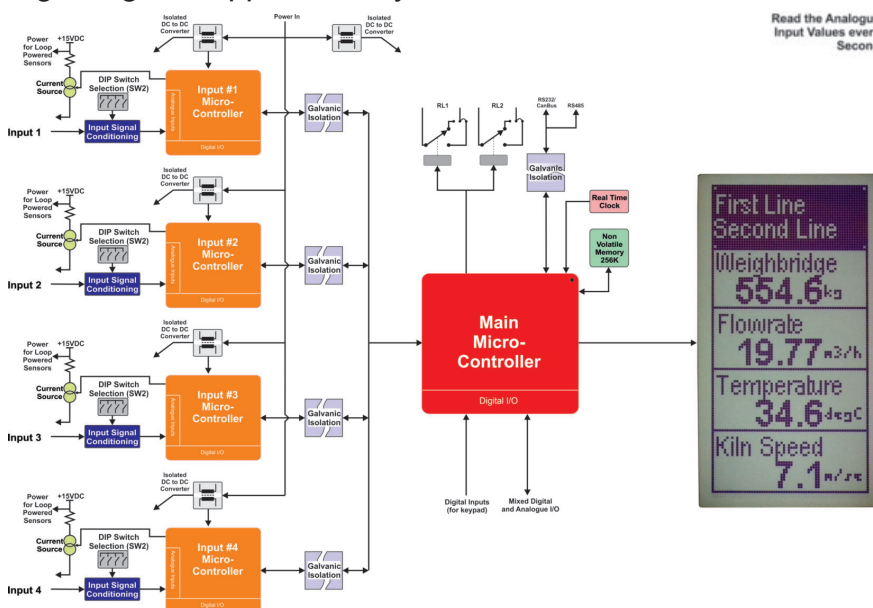
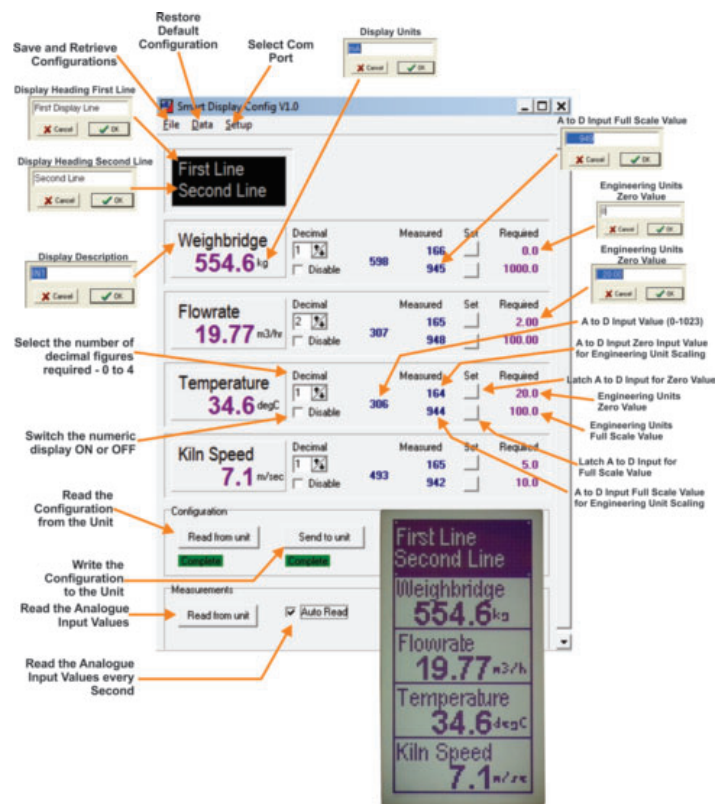


The Smart Display provides four independent and isolated digital displays with labeling for a variety of process signals. It is convenient for local display of signals which may be routed to a central PLC some distance from the transmitters.

A useful feature is that each analogue input is galvanically isolated from each other so that any four process loops can be displayed without affecting each other or the measurement loop being displayed.

The unit is panel mounted with the mounting arrangement to suit the application, up to IP66 if required using suitable sealing gasket between the front mounting face and the panel.

Based on a 128 x 64 dot matrix LCD display, four analogue values can be scaled and displayed with a general label and individual unit labels, precision and sign options. The backlit LCD display dimensions are 38 x 70 mm resulting in a digit height of approximately 12 mm.



The configuration software runs on any PC with all Windows operating systems. It requires a free RS232 or USB port with Danntech-supplied, Smart Display Configuration Cable. (one cable is supplied per customer with first order). A USB connection can be used with the USB to RS232 Adaptor. (In the future we will be supplying a USB configuration cable).



**Danntech cc**  
 Reg. No. 1986/15338/23  
 Tel: +27 (0)11 792-1239  
 Fax: +27 (0)11 792-4687  
 P O Box 1023, Fontainebleau, 2032  
 Republic of South Africa  
[www.danntech.com](http://www.danntech.com)  
[www.danntech.co.za](http://www.danntech.co.za)

**Danntech Ltd**  
 Co. No. 6510211  
 Tel: +44 (0) 75 9069 1824  
 4 Bettleys Lane, Norton Canes, Cannock  
 WS11 9NP, United Kingdom

