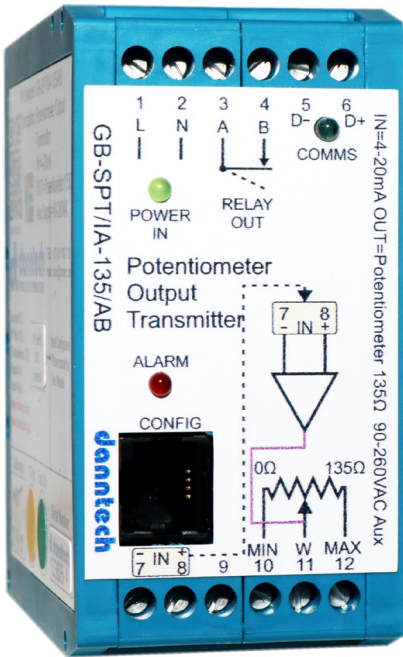
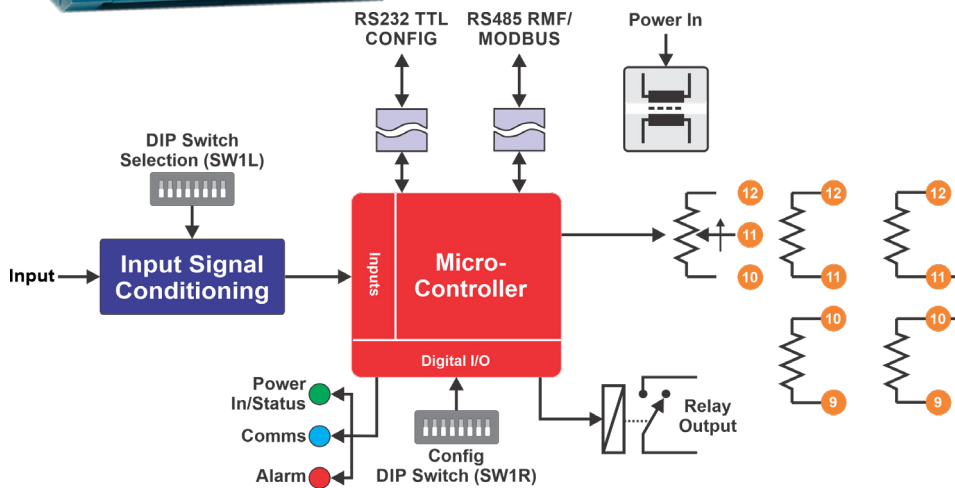


# Potentiometer Output Transmitter



- Potentiometer or resistance output transmitter.
- Output be configured as a three terminal potentiometer, dual, isolated 256 step resistors or one 512 step resistor.
- Uses actual resistors with relay selection so the output is inherently potential free and isolated.
- Minimum resistor step is 1  $\Omega$  which can be customised to order.
- Maximum total power dissipation of 3 W which is 150 mA at 135  $\Omega$ .
- Smooth resistor transitions with selectable input filtering and hysteresis.



- Isolated analogue input, power supply and potentiometer or resistance outputs.
- DIP switch configuration which does not require software configuration.
- Isolated RS485 for RMF or Modbus comms.
- Configuration connector for connection to a PC based product configurator.

- |   |  |
|---|--|
| <ul style="list-style-type: none"> <li><input type="checkbox"/> Standard input signal ranges 0-50 mV, 0-100 mV, 0-1 V, 0-5 V, 0-10V, 18-32 V, 0-100 V, 0-20 mA, 4-20 mA, 0-1 k<math>\Omega</math> and 0-10 k<math>\Omega</math>.</li> <li><input type="checkbox"/> Customised input and output ranges on request.</li> <li><input type="checkbox"/> Input impedance of &gt;100 k<math>\Omega</math> for the voltage input and 50 <math>\Omega</math> for the current input models.</li> <li><input type="checkbox"/> Output resistance ranges 0 to 255 <math>\Omega</math> in 1 <math>\Omega</math> steps, up to 0 to 255 k<math>\Omega</math> in 1 k<math>\Omega</math> steps or any subrange.</li> <li><input type="checkbox"/> Output can be three terminal potentiometer, dual 256 step resistances or one 512 step resistance.</li> <li><input type="checkbox"/> Adjustable filter from 0 to 60 seconds.</li> <li><input type="checkbox"/> Optional RS485 RMF and Modbus comms.</li> </ul> | <ul style="list-style-type: none"> <li><input type="checkbox"/> Frequency response minimum approximately 50 mS with filter disabled.</li> <li><input type="checkbox"/> Linearity better than 0.5% of full scale.</li> <li><input type="checkbox"/> Relay output for alarm or control functions 30 V at 1 A.</li> <li><input type="checkbox"/> Power supply 18-36 VDC or 90-260 VAC.</li> <li><input type="checkbox"/> Isolation between input and output and power supply &gt;1,000 VAC.</li> <li><input type="checkbox"/> Operating temperature -10<math>^{\circ}</math>C to 60<math>^{\circ}</math>C.</li> <li><input type="checkbox"/> 24 hour operational burn-in.</li> <li><input type="checkbox"/> Calibration sheet provided for each unit manufactured.</li> <li><input type="checkbox"/> High quality, self-extinguishing, polyamide enclosure.</li> <li><input type="checkbox"/> DIN rail mounting with dimensions 40 x 80 x 85 mm (W x H x D).</li> </ul> |
|---|--|



**Danntech cc**  
 Reg. No. 1986/15338/23  
 Tel: + 27 (0)11 792-1239  
 P O Box 1023, Fontainebleau, 2032  
 Republic of South Africa  
[www.danntech.co.za](http://www.danntech.co.za)  
[www.danntech.com](http://www.danntech.com)

**Danntech ltd**  
 Co. No. 6510211  
 Tel: + 44 (0)75 9069 1824  
 4 Bettys Lane, Norton Canes  
 Cannock, Staffordshire, WS11 9NP  
 United Kingdom  
[www.danntech.com](http://www.danntech.com)