

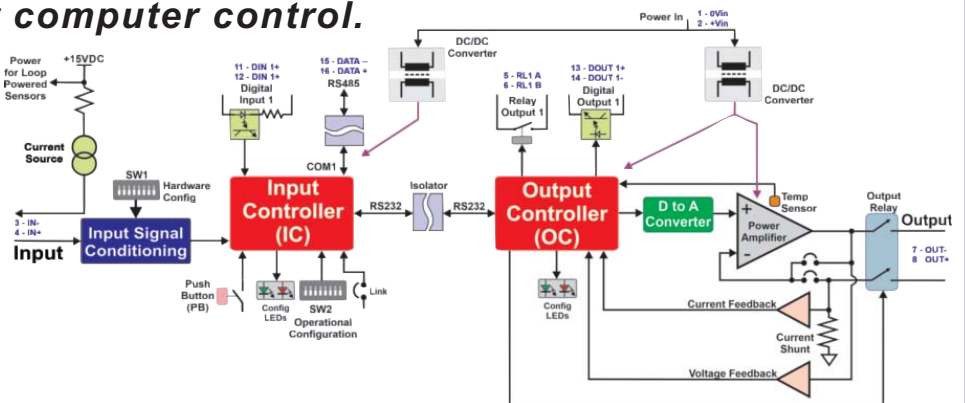
HIGH CURRENT OUTPUT SIGNAL CONVERTER

- Provides either a voltage or current output of up to ± 10 V with various models going up to ± 1330 mA.
- Output can be either constant voltage or constant current.
- Linear control of output current and voltage, not switched mode.
- Interface to bipolar hydraulic valves.
- Electrochemistry - potentiostatic and galvanostatic testing.
- Servomotor control.
- Test current generator.
- Provides a serial interface for up to 32 devices for remote or computer control.



PART NUMBERING:

GB-SH/kg-nt/p Signal Converter
[input]/[output] [aux supply]



SPECIFICATIONS:

- Input options are 0 to 10 V, 0 to 5 V, ± 10 V, 0 to 20 mA, 4 to 20 mA, resistance and potentiometer.
- Output options are 0 to 10 V, ± 10 V (up to 1330 mA), current output up to ± 1330 mA.
- Selectable filtering dip switch selectable with fastest step response of 10 ms or less.
- Requires an external DC supply of either:
 - 9 to 18 VDC (12 VDC nominal),
 - 18 to 36 VDC (24 VDC nominal),
 - 36 to 75 VDC (48 VDC nominal)
- Isolation of up to 1500 VDC or more, between input, output and the auxiliary power supply.
- Zero and span adjustment
- Optional RS485 communications with our simple command interface so multiple units can be used with remote control.
- Modbus communications option in development.
- Hydraulic valve controller option available on request with dither and ramping.
- One isolated digital input.
- Internal output isolation relay.
- Heatsink temperature monitoring with automatic shutdown at 80°C and restart at 70°C.
- Operating temperature -10°C to 60°C.
- DIN rail mounting.
- Plug-in screw terminal connections.
- Dimensions 40 x 110 x 113 mm (width x length top to bottom x height off DIN rail).
- Approximate weight 150 g.

dt danntech
PROCESS INSTRUMENTATION

danntech cc
Reg. No. 1986/15338/23
Tel: + 27 (0)11 792-1239
Fax: + 27 (0)11 792-4687
P O Box 1023, Fontainebleau, 2032
Republic of South Africa
www.danntech.co.za
www.danntech.com

danntech ltd
Co. No. 6510211
Tel: +44 (0) 75 9069 1824
4 Bettys Lane, Norton Canes,
Cannock, Staffordshire, WS11 9NP,
United Kingdom
www.uk.danntech.com