

DUAL OUTPUT PROCESS SIGNAL SPLITTER



- **Process signal replication.**
- **One input - two galvanically isolated outputs.**
- **Four way isolation - input isolation > 1000 VDC between input, outputs and auxiliary supply.**
- **Various input and output options - 0-20 mA, 4-20 mA, 0-10 V DC, or ±10V (others on request).**
- **Dual relay or digital outputs for alarms - optional.**
- **Each output can be different if required.**
- **Microprocessor based with two digital inputs and two digital (or relay) outputs for customized applications.**

Also adapted for:
Peak Valley Hold Unit,
Process Signal Range
Splitter

APPLICATIONS:

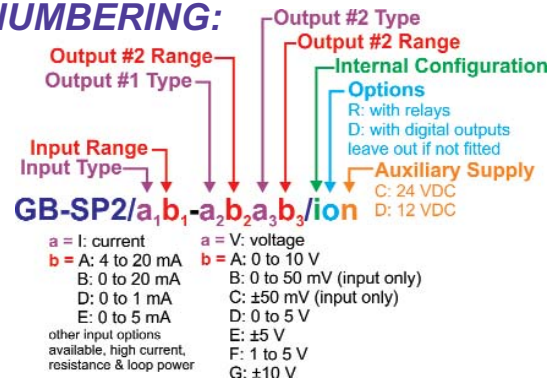
Providing isolated process signal replication.

Parallel redundant systems using a single transmitter.

Adding two isolated outputs with minimal effect on the existing process loop.

Alarm trip unit with dual relay or digital outputs.

PART NUMBERING:



- **One input with various options -**
Current (DC): 4-20 mA, 0-20 mA, (factory installed options are 0-1 A, 0-5 A and 0-10 A).
Loop power available at +15 V, 22 mA for loop powered transmitter inputs.
Voltage (DC): 0-100 mV, 0-1 V, 0-10 V, 0-30 V, 0-100 V and ±10 V.
Resistance: 0-100 Ω, 0-1 kΩ, 0-10 kΩ.
- **Two outputs with various options -**
Current (DC): 4-20 mA, 0-20 mA.
Voltage (DC): 0-100 mV, 0-1 V, 0-10 V, ±10 V.
- **Relay Outputs** - optional: Two alarm relay outputs 30 VDC at 1 A / 125 VAC, 0.3 A.
- **Digital Outputs** - optional: Two opto isolated transistor outputs up to 50 V at 40 mA maximum.
- **Digital Inputs** - optional: Two opto isolated digital inputs 30 V maximum at 5 mA.
- 24 VDC (-5%, +10%) auxiliary power supply at approximately 100 mA.
- Galvanic isolation between auxiliary supply, input and all outputs > 1000 VDC.
- Input impedance > 100 kΩ for voltage input versions, 50 Ω for current inputs.
- Maximum load resistance 400 Ω for current outputs.
- Voltage output current maximum is 5 mA.
- Input and outputs - ±10% over and under range.
- Step response < 100 mSec on all outputs.
- Trimpot adjustment of zero and span for each output.
- Power On/Status green LED.
- Input Status and Alarm LEDs.
- Operating temperature -10°C to +70°C.
- Plug-in screw terminals.
- High quality, self-extinguishing polyamide enclosure.
- DIN rail mounting enclosure - 22.5 x 100 x 113 mm (width x length top to bottom x height off DIN rail).
- Approximate weight 100 g.



Danntech cc
Reg. No. CK86/15338/23
Tel: + 27 (0)11 792-1239
Fax: + 27 (0)11 792-4687
P O Box 1023, Fontainebleau, 2032
Republic of South Africa
www.danntech.com
www.danntech.co.za

Danntech Ltd
Co. No. 6510211
Tel: +44 (0) 75 9069 1824
15 College Close, Hamble-le-Rice
Southampton, Hampshire, SO31 4QU
United Kingdom
www.uk.danntech.com