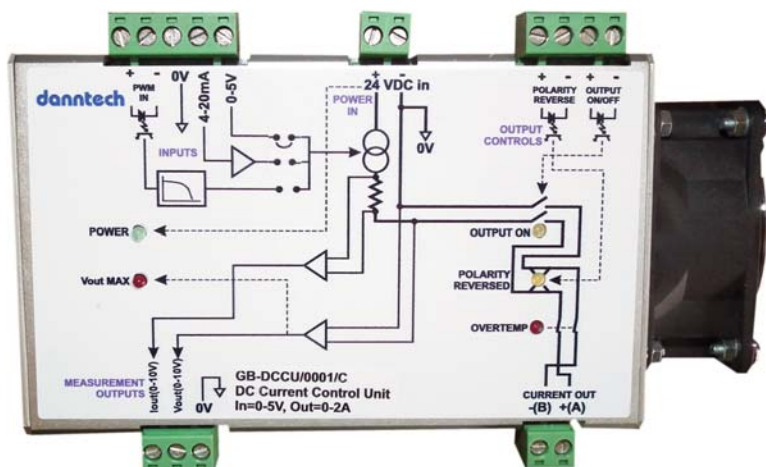


# DC CURRENT CONTROL UNIT



- **Compact, precision current control up to 20 V at 2 A DC**
- **Output control with low noise, linear operation**
- **External DC power supply**
- **Various control signal options**
- **Polarity reversal and output ON/OFF with digital input control**
- **Current and voltage feedback outputs**
- **Overtemperature protection with automatic shutdown**

## APPLICATIONS:

Proportional hydraulic valve control.

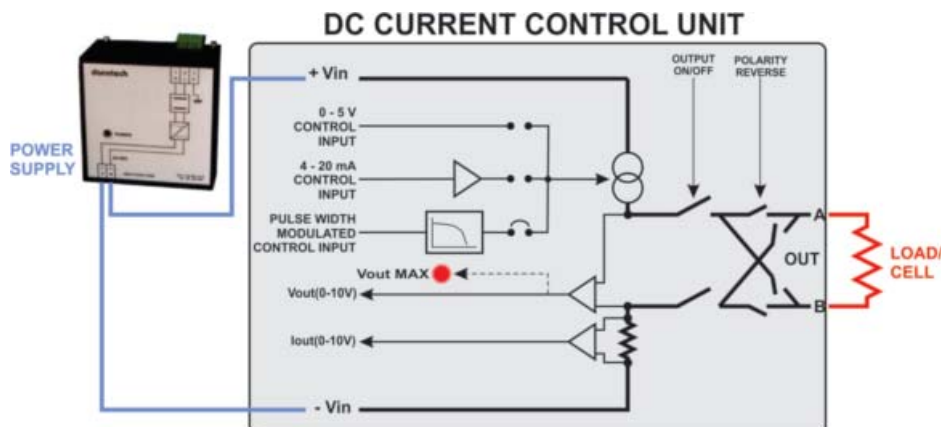
Electrochemistry.

Microbial growth control systems.

Plating applications.

Cell charging and control.

Automated current control.



GB-DCCU/0001/C	DC Current Control Unit 0-20 V, 0-2 A
GB-DCCU/0002/C	DC Current Control Unit 0-20 V, 0-1 A
GB-DCCU/0003/C	DC Current Control Unit 0-20 V, 0-500 mA
GB-DCCU/0004/C	DC Current Control Unit 0-20 V, 0-100 mA

## SPECIFICATIONS:

- Output current range up to 2 A DC.
- Maximum output voltage compliance 20 V DC.
- Excellent linearity - better than  $\pm 0.25\%$ .
- Frequency response approximately 10 Hz.
- External voltage supply 20 to 30 V DC up to 2 A.
- Various control input options: 0-5 V, 0-10 V, 0-20 mA, 4-20 mA, digital input - Pulse Width Modulated 0-100% and potentiometer input.
- Output ON/OFF and output polarity controlled by galvanically isolated digital inputs either 5 V or 24 V - internal link selectable.
- Forced air cooling with high quality integral fan.
- Current and voltage feedback outputs 0-10 V proportional to the full scale values.
- Overtemperature protection with LED indication and automatic shutdown.
- Operating temperature 0 to 55°C.
- 24 hour operational burn-in.
- Calibration sheet provided for each unit manufactured.
- DIN rail mounting.
- Plug-in screw terminal connections.
- Dimensions 130 x 80 x 85 mm (W x H x D).
- Mass approximately 400 g.



**Danntech cc**

Reg. No. CK86/15338/23

Tel: ++ 27 (0)11 792-1239

Fax: ++ 27 (0)11 792-4687

56 Martha Road, Fontainebleau, Randburg

P O Box 1023, Fontainebleau, 2032

Republic of South Africa

[www.danntech.com](http://www.danntech.com)