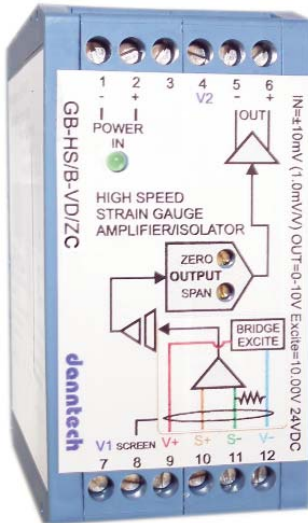


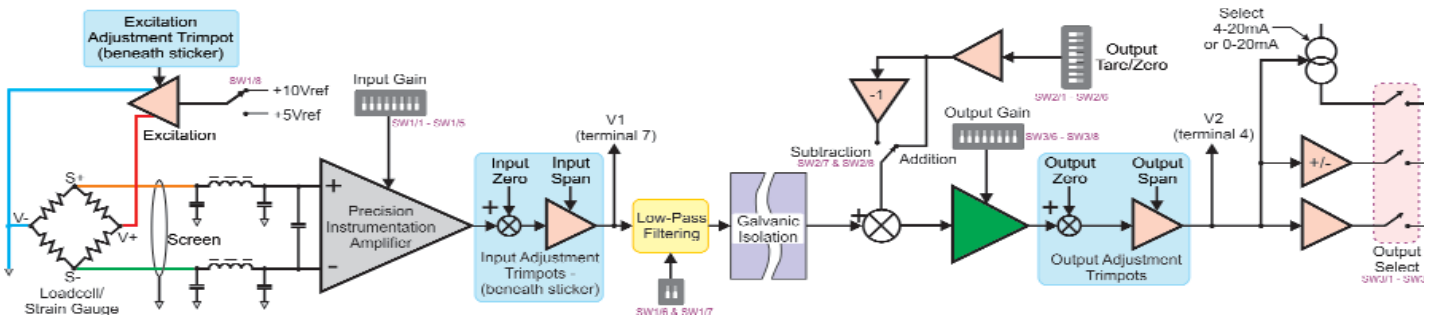
HIGH SPEED STRAIN GAUGE AMPLIFIER/ISOLATOR



APPLICATIONS:

Shock or impact testing of materials.
Load testing of seatbelts. Apple Weighing. General loadcell or strain gauge interfacing.

- ❑ Compact, wide bandwidth strain gauge/load-cell amplifier and isolator.
- ❑ Standard input ranges anywhere from ± 10 mV to $\pm 1\ 000$ mV.
- ❑ Analogue design for fast response and low noise.
- ❑ 6 to 20 kHz bandwidth depending upon gain required. DIP switch selectable filtering.
- ❑ >2 kV VAC isolation for AC powered versions 1kV DC for DC powered versions.
- ❑ Integral bridge reference power supply 5.000 or 10.000 V - DIP switch selectable and trimpot adjustable.
- ❑ Auxiliary supply - 90-240 VAC or 12, 24 VDC.



SPECIFICATIONS:

- ❑ Standard input signal ranges of ± 10 mV, 0-10mV, ± 20 mV, 0-20mV and many others up to $\pm 1\ 000$ mV.
- ❑ High quality instrumentation amplifier front end.
- ❑ Input impedance >3 M Ω .
- ❑ High speed optical isolation > 2 kV.
- ❑ -3dB bandwidth 6 kHz for ± 10 mV input, 10 kHz for ± 20 mV input, 15kHz for ± 40 mV input.
- ❑ Voltage output signal ranges of 0-10V, ± 10 V, 0-5 V or ± 5 V.
- ❑ Current outputs 0-20mA and 4-20 mA.
- ❑ Output load >2 k Ω for the voltage output.
- ❑ Multi-turn trimpot adjustment for Output zero and span and Input zero and span.
- ❑ 10% over-range capability.
- ❑ Linearity better than 0.25% of full scale.
- ❑ Bridge excitation supply 5.000 V to 10.000 V at maximum 30 mA, DIP switch selectable.
- ❑ Input supply 115 or 230 VAC $\pm 10\%$ 50/60 Hz or 12 or 24 VDC.
- ❑ Isolation input to output 2 500 VAC for 115/230 VAC powered units, $>1\ 000$ VDC for DC powered units.
- ❑ Operating temperature -10 to 60°C.
- ❑ 24 hour operational burn-in.
- ❑ Calibration sheet provided for each unit manufactured.
- ❑ DIN rail mounting.
- ❑ Screw terminal connections.
- ❑ Dimensions 40 x 80 x 85 mm (W x H x D).



Danntech cc
Reg. No. 1986/15338/23
Tel: + 27 (0)11 792-1239
Fax: + 27 (0)11 792-4687
P O Box 1023, Fontainebleau, 2032
Republic of South Africa
www.danntech.co.za

Danntech ltd
Co. No. 6510211
Tel: +44 (0) 75 9069 1824
15 College Close, Hamble-le-Rice
Southampton, Hampshire,
SO31 4QU, United Kingdom
www.uk.danntech.com

High Speed Strain Gauge Amplifier/Isolator Part Numbering

Product Description: HS Strain Gauge Amp [input]/[output] [excitation][aux supply]

Part Numbering: GB-HS/s-nt/ep

s = input signal range:	
A - ± 5 mV	P - 0-5 mV
B - ± 10 mV	Q - 0-10 mV
C - ± 20 mV	R - 0-20 mV
D - ± 50 mV	S - 0-50 mV
E - ± 60 mV	T - 0-60 mV
F - ± 100 mV	U - 0-100 mV
G - ± 150 mV	V - 0-150 mV
H - ± 200 mV	W - 0-200 mV
J - ± 120 mV	
K - ± 400 mV	

n - output signal type	
I = current, V = voltage	
t - output signal range:	
current (n=I):	voltage (n=V):
A = 4 - 20 mA	A = 0 - 10 V
B = 0 - 20 mA	B = 0 - 50 mV
	C = ± 50 mV
	D = 0 - 5 V
	E = ± 5 V
	F = 1 - 5 V
	G = ± 10 V
	K = 0 - 1 V

e – excitation:

Y = 5.000 V, Z = 10.000 V

p - auxiliary power supply

AB = 90-240 VAC, C= 24 VDC, D= 12 VD

Part Numbering Examples:

GB-HS/A-VE/ZAB HS Strain Gauge Amp ± 5 mV(1mV/V)/ ± 5 V, Ex=10.00, 90-240 VAC

GB-HS/S-VA/ZAB HS Strain Gauge Amp 0-50 mV(5mV/V)/0-10 V,Ex=10.00, 90-240 VAC

GB-HS/B-VA/ZC HS Strain Gauge Amp ± 10 mV(1mV/V)/0-10 V,Ex=10.00, 24 VDC

Loadcell Sensitivity and Input Voltage Range:							
	1 mV/V	2mV/V	3 mV/V	5 mV/V	10 mV/V	15 mV/V	20 mV/V
Excitation							
5.00 V	5 mV	10mV	15 mV	25 mV	50 mV	75 mV	100 mV
10.00 V	10 mV	20mV	30 mV	50 mV	100 mV	150 mV	200 mV